

6 5 4 3 2 1

Installation space 2270mm

1207

OUTLET  
G2"

Ø129,1

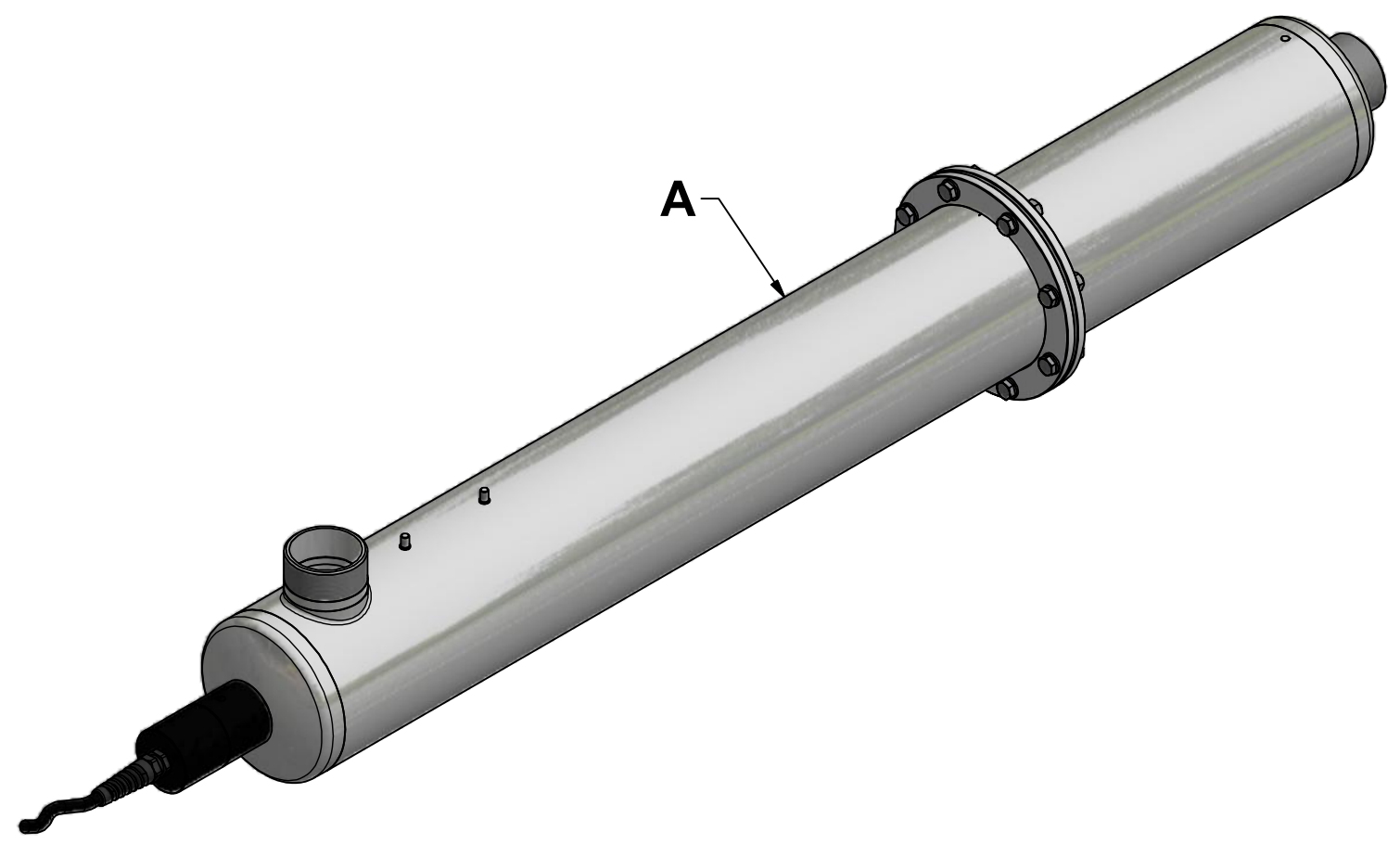
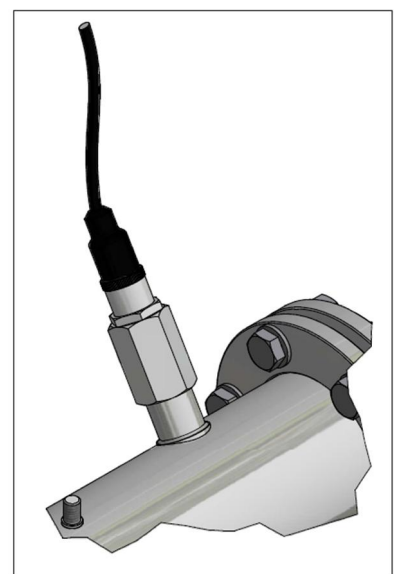
INLET  
G2"

103±1

Ø175

1041±2

'A' Option UV-sensor



▽

B

A

General dimensions		Date:	13-9-2017	Weight:	10,5 kg
<b>UV 20+</b>		Designer:	Harm Visser	Material:	316L / 1.4404
Art.no.: <b>613240</b>	Rev.: <b>.000</b>	Drawing: <b>REM.103.641</b>			
		Van Remmen UV Technology Hooglandweg 3a 8131 TE Wijhe		Scale: 1 / 5	
		T +31 (0)570 52 18 90 F +31 (0)570 52 18 99 E info@vanremmen.nl W www.vanremmen.nl		Size: A3	
		Roughness according to NEN 3634 Tolerance according to NEN-ISO 406 Form and Placement tolerance according to NEN-ISO 1101			

6 5 4 3 2 1

▽