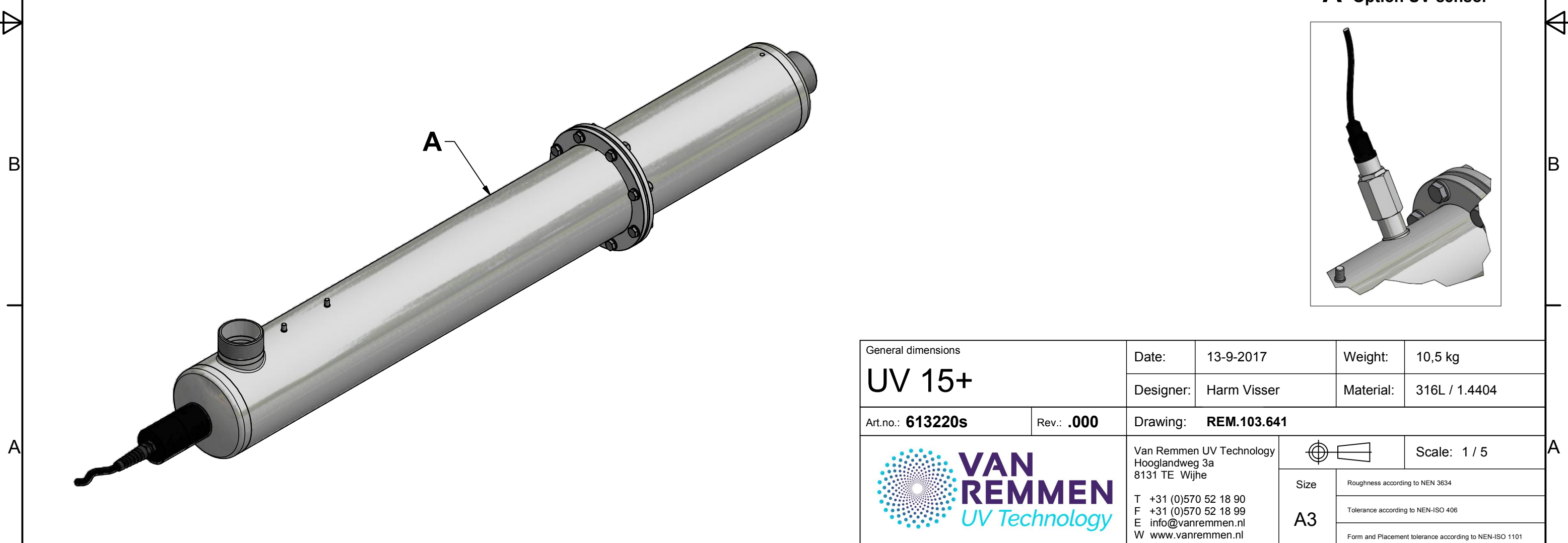
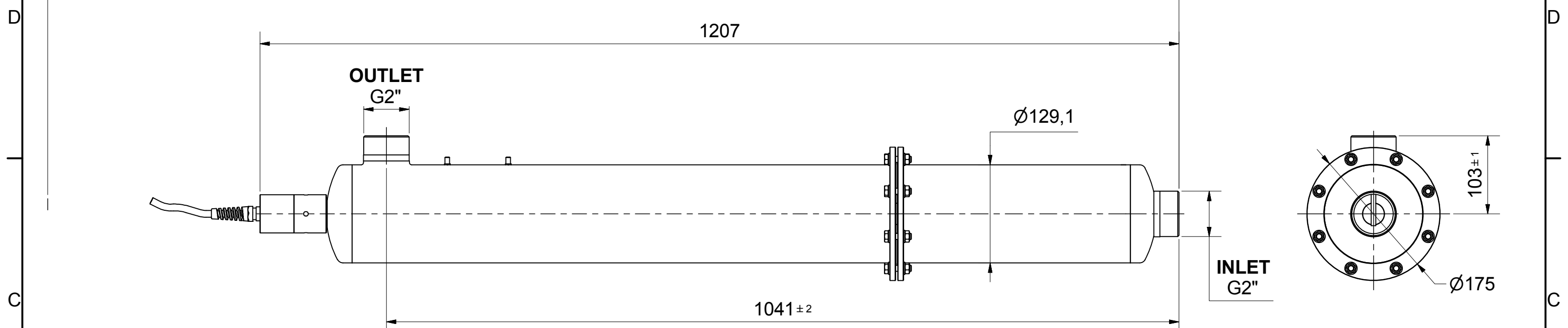
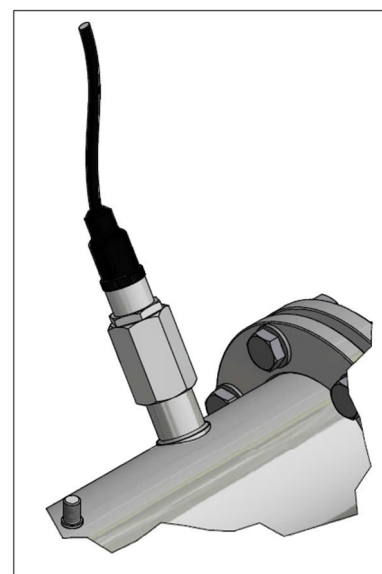


6 5 4 3 2 1

Installation space 2270mm



'A' Option UV-sensor



General dimensions		Date:	13-9-2017	Weight:	10,5 kg
UV 15+		Designer:	Harm Visser	Material:	316L / 1.4404
Art.no.: 613220s	Rev.: .000	Drawing: REM.103.641			
<p>VAN REMMEN UV Technology</p> <p>Van Remmen UV Technology Hooglandweg 3a 8131 TE Wijhe</p> <p>T +31 (0)570 52 18 90 F +31 (0)570 52 18 99 E info@vanremmen.nl W www.vanremmen.nl</p>		<p>Scale: 1 / 5</p>		Size	
				Roughness according to NEN 3634	
				Tolerance according to NEN-ISO 406	
				Form and Placement tolerance according to NEN-ISO 1101	

6 5 4 3 2 1