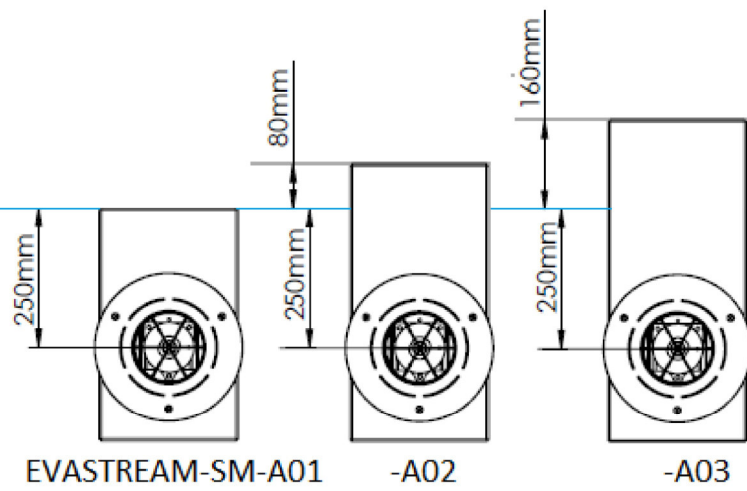
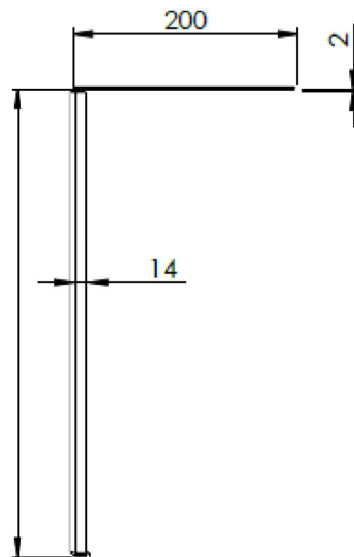
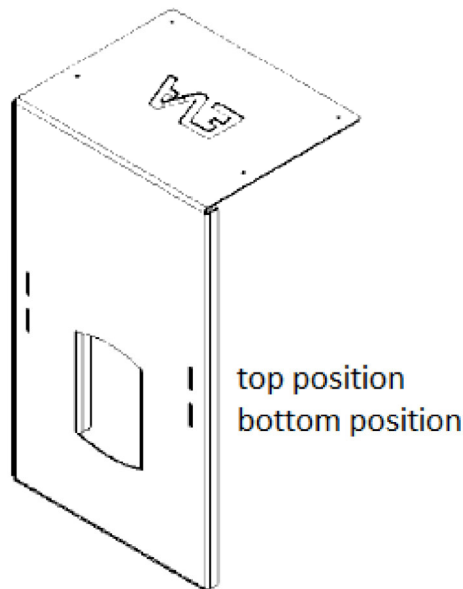
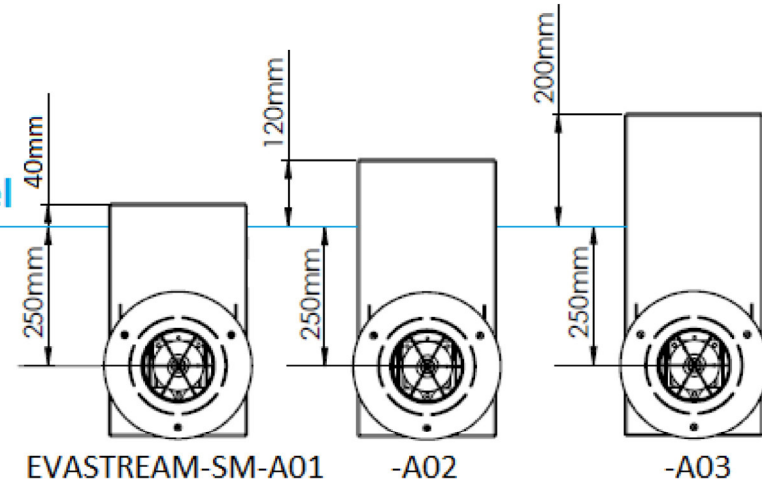


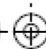

### Top position



### Bottom position



Waterlevel

Contact :	EVA Optic B.V. De Velde 1 8064PH Zwartsluis The Netherlands	Proj.	Scale:	 1:10	
Material :	various	Drawn by:	J.Vos		
DWG.NO :	EVA6003	TITLE	EVASTREAM-SM-A01/02/03		Size: A3
				modified: dinsdag 15 september 2009 13:20:04	