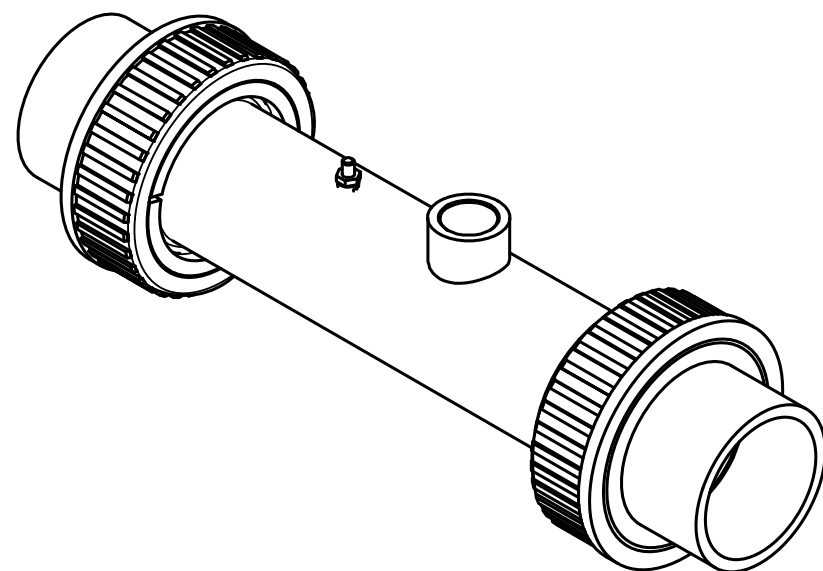
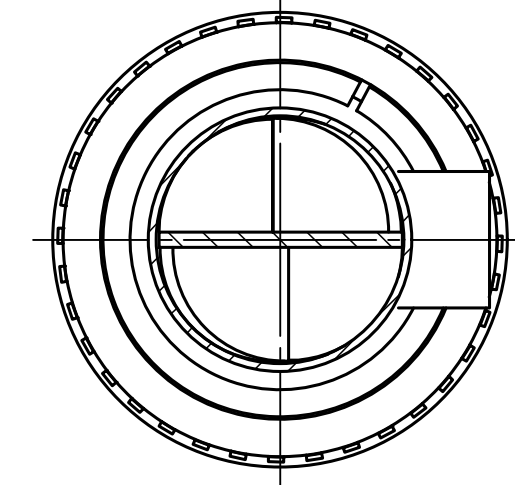
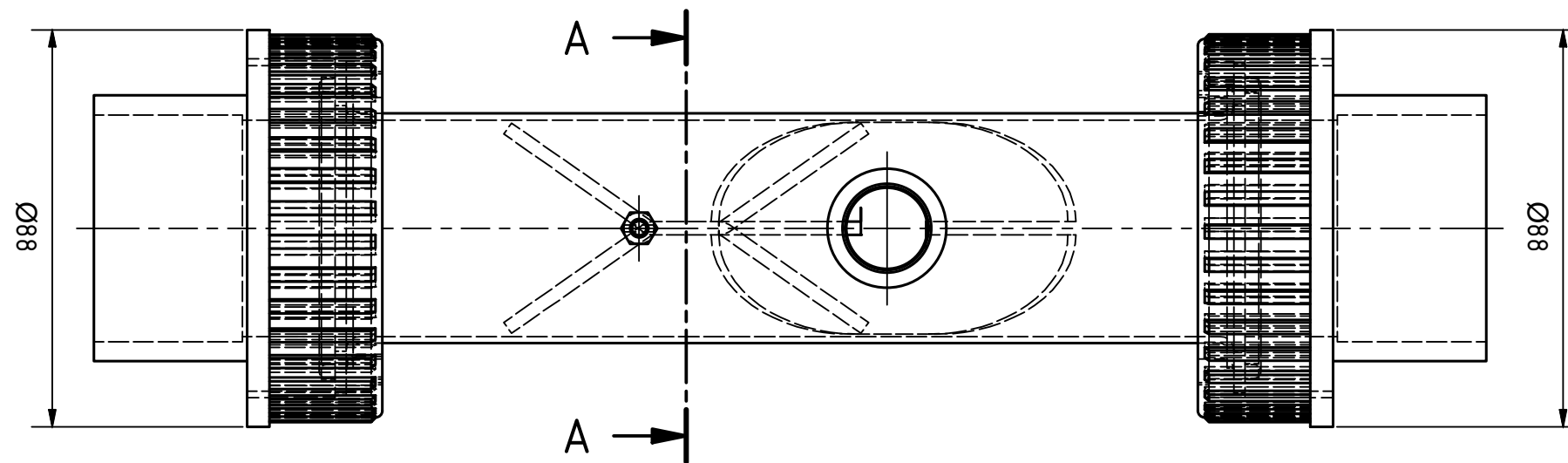




A-A (1 : 1,5)



GENERAL TOLERANCES ACCORDING TO ISO 2768-mK				MATERIAL: AISI 316		SCALE: 1:1.5 (1:2.5)	
Designed by	Checked by	Approved by	Date	Date	 3RD ANGLE PROJECTION		
MD	MD	MD	2018	2018			
 BUTLERFIELD IND. EST BONNYRIGG, EDINBURGH, EH19 3JQ, SCOTLAND				ZPM - DN40 - 2f			
				ITEM No. 30001		Edition	Sheet
		1	1 / 1				