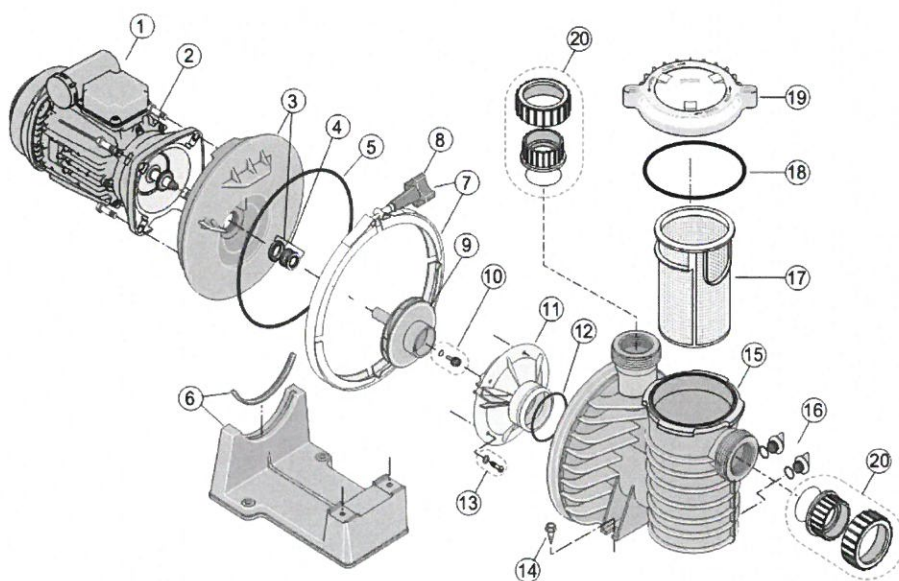




5P6R™



MAX-E-PRO™ - 5P6R™**Replacement Parts**

No.	Part No.	Description	Part No. Includes*
1**	RA-D1	Motor - Mono Phase 0,55KW	1
	RA-D3	Motor - Tri Phase 0,55KW	1
	RA-E1	Motor - Mono Phase 0,75KW	1
	RA-E3E2	Motor - Tri Phase 0,75KW	1
	RA-F1	Motor - Mono Phase 1,10KW	1
	RA-F3E2	Motor - Tri Phase 1,10KW	1
	RA-G1	Motor - Mono Phase 1,50KW	1
	RA-G3E	Motor - Tri Phase 1,50KW	1
	RA-H1	Motor - Mono Phase 2,20KW	1
	RA-H3E2	Motor - Tri Phase 2,20KW	1
2	RU3074SS	Screw	4
3	RC103194PG	Seal Plate incl. Mechanical Seal	1
4	R374000027S	Mechanical Seal	1
5	R39006000	O-Ring	1
6	RC478P	Base (0,55KW)	1
	RC479P	Base (0,75KW -> 2,20KW)	1
7	RC1937A	Clamp and knob Assembly	1
8	RWC3622	Clamp Knob	1
9	RC105238PFM	Impeller 0,55KW Mono Phase	1
	RC105238PFAM	Impeller 0,55KW Tri Phase	1
	RC105238PGM	Impeller 0,75KW Mono Phase	1
	RC105238PGAM	Impeller 0,75KW Tri Phase	1
	RC105238PECAM	Impeller 1,10KW Mono & Tri Phase	1
	RC105-238PLBAM	Impeller 1,50KW Mono & Tri Phase	1
	RC105-238PHAM	Impeller 2,20KW Mono & Tri Phase	1
10***	R373376080	Impeller Lock Screw	1
11	RC1271P	Diffuser	1
12	RU9374	O-Ring	1
13	RU30922SS	Bolts & Washers	5
14	RU30918SS	Screw	2
15	R173070110W	Pump Body Assembly (includes Partn* 16, 17, 18 & 19)	1
16	RU178920P	Drain Plugs	2
17	RC858P	Basket	1
18	R355051440	O-Ring	1
19	R173070111S	Lid & Lock Assembly	1
20	RPKG188W	Slip Union Kit 63mm	2
	PKG 188	Slip Union Kit 2"	2
	PP6000	Seal Set (Partn* 4, 5, 12, 18)	

* PART NUMBER INCLUDES REQUIRED QUANTITY PER PRODUCT

** SEE MOTOR SHEET FOR MOTOR SPARE PARTS

*** IMPELLER SCREW ONLY ON TRI PHASE PUMPS

Rev. 08/2016